

# Product data sheet

## Characteristics

# 8903LG0012V02

Contacteur, Type L, multipole lighting, electrically held, 30A, 12 pole, 600V, 110/120VAC 50/60Hz coil, NEMA 1



Product availability: Non-Stock - Not normally stocked in distribution facility

Price\*: 1571.00 USD



### Main

|                           |                                      |
|---------------------------|--------------------------------------|
| Product or Component Type | Electrically Held Lighting Contactor |
| Range of Product          | 8903L                                |
| Control circuit           | Separate control circuit             |

### Complementary

|                                 |                                   |
|---------------------------------|-----------------------------------|
| [Uc] control circuit voltage    | 110 V AC 50 Hz<br>120 V AC 60 Hz  |
| Inrush power in VA              | 180 VA 60 Hz<br>170 VA 50 Hz      |
| Hold-in power consumption in VA | 35 VA 60 Hz<br>35 VA 50 Hz        |
| Line Rated Current              | 20 A tungsten<br>30 A fluorescent |
| Poles description               | 12P 12 NC                         |
| Control type                    | No control units                  |
| Local signalling                | No indicator                      |
| Electrical Connection           | Screw-clamp terminals             |
| Maximum Height                  | 12.68 In (322 mm)                 |
| Maximum Depth                   | 6.02 In (153 mm)                  |
| Maximum Width                   | 7.80 In (198 mm)                  |

### Environment

|                           |                                    |
|---------------------------|------------------------------------|
| NEMA degree of protection | NEMA 1 painted sheet steel surface |
| Product Certifications    | UL Listed<br>CSA                   |

## Ordering and shipping details

|                       |                         |
|-----------------------|-------------------------|
| Category              | 21321 - 8903 L (NOT LX) |
| Discount Schedule     | CP1                     |
| GTIN                  | 00785901105404          |
| Nbr. of units in pkg. | 1                       |
| Package weight(Lbs)   | 13.01 Lb(US) (5.902 kg) |
| Returnability         | No                      |
| Country of origin     | MX                      |

## Packing Units

|                        |                     |
|------------------------|---------------------|
| Unit Type of Package 1 | PCE                 |
| Package 1 Height       | 7.50 In (19.05 cm)  |
| Package 1 width        | 8.00 In (20.32 cm)  |
| Package 1 Length       | 13.50 In (34.29 cm) |

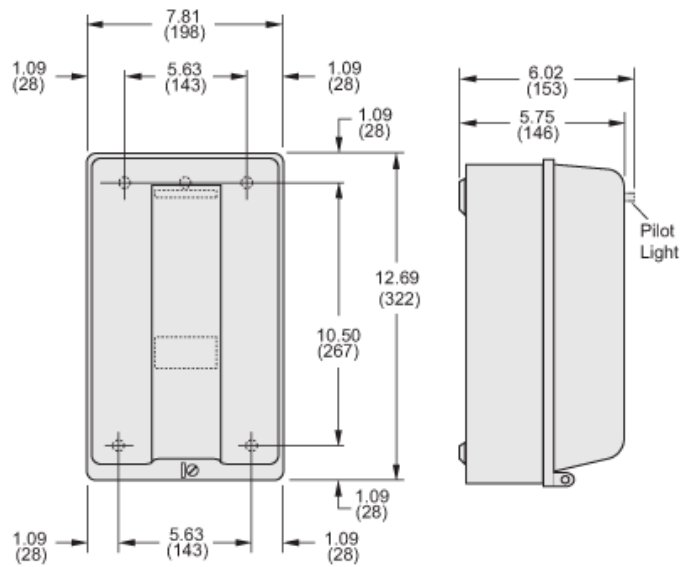
## Offer Sustainability

|                             |   |
|-----------------------------|---|
| Sustainable offer status    | Green Premium product                         |
| REACH Regulation            | <a href="#">REACH Declaration</a>             |
| REACH free of SVHC          | Yes   |
| EU RoHS Directive           | Compliant <a href="#">EU RoHS Declaration</a> |
| Toxic heavy metal free      | Yes   |
| Mercury free                | Yes   |
| RoHS exemption information  | <a href="#">Yes</a>                           |
| China RoHS Regulation       | <a href="#">China RoHS Declaration</a>        |
| Environmental Disclosure    | <a href="#">Product Environmental Profile</a> |
| PVC free                    | Yes   |
| Halogen content performance | Halogen free plastic parts product            |

## Contractual warranty

|          |           |
|----------|-----------|
| Warranty | 18 months |
|----------|-----------|

Approximate Dimensions



Product Life Status : Commercialised